



# GreenSpace G5

## DN390B LED6/865 PSU D100 ALU WP GM

Power supply unit - High-gloss high reflectance - Transparent bowl with white cover - 65° -

GreenSpace Gen5 is a new LED downlight range combining light efficiency and comfort with product diversity and system compatibility

### Product data

General information	
Beam angle of light source	60°
Light source color	865 cool daylight
Light source replaceable	No
Number of gear units	1 unit
Driver/power unit/transformer	Power supply unit
Driver included	Yes
Optic type	High-gloss high reflectance
Optical cover/lens type	Transparent bowl with white cover
Luminaire light beam spread	65°
Control interface	-
Connection	Push-in connector 6-pole
Protection class IEC	Safety class I
Glow-wire test	Temperature 650 °C, duration 30 s
Flammability mark	For mounting on normally flammable surfaces
CE mark	CE mark
Warranty period	3 years
Constant light output	No
Number of products on MCB of 16 A type B 48	

Light source engine type	LED
Operating and electrical	
Input Voltage	220-240 V
Input Frequency	50 or 60 Hz
Inrush current	2.2 A
Inrush time	0.045 ms
Power Factor (Min)	0.9
Controls and dimming	
Dimmable	No
Mechanical and housing	
Housing Material	Aluminum die cast
Reflector material	Polycarbonate aluminum coated
Optic material	Polycarbonate
Optical cover/lens material	Polycarbonate
Optical cover/lens finish	Matte
Overall length	0 mm
Overall width	0 mm
Overall height	98 mm

## GreenSpace G5

Overall diameter	120 mm
Color	Black and white

### Approval and application

Ingress protection code	IP20/54 [ Finger-protected; dust accumulation-protected, splash-proof]
Mech. impact protection code	IK02 [ 0.2 J standard]

### Initial performance (IEC compliant)

Initial luminous flux (system flux)	600 lm
Luminous flux tolerance	+/-10%
Initial LED luminaire efficacy	109 lm/W
Init. Corr. Color Temperature	6500 K
Init. Color Rendering Index	>80
Initial chromaticity	(0.31,0.32) SDCM<5
Initial input power	5.5 W
Power consumption tolerance	+/-10%

### Over time performance (IEC compliant)

Median useful life L70B50	50000 h
---------------------------	---------

Median useful life L80B50	43000 h
Median useful life L90B50	20000 h

### Application conditions

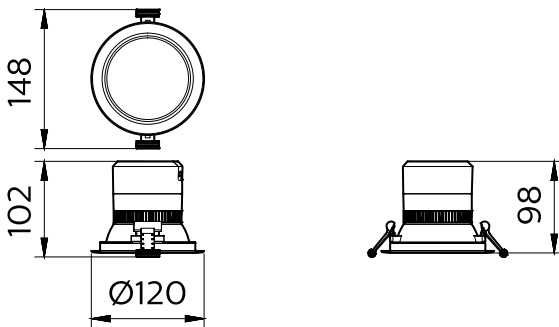
Ambient temperature range	-20 to +40 °C
Maximum dim level	Not applicable

### Product data

Full product code	911401580941
Order product name	DN390B LED6/865 PSU D100 ALU WP GM
Order code	911401580941
Numerator - Quantity Per Pack	1
Numerator - Packs per outer box	1
Material Nr. (12NC)	911401580941
Copy Net Weight (Piece)	0.260 kg



## Dimensional drawing



DN390B LED6/865 PSU D100 ALU WP GM

