



GreenSpace G5

DN392B LED16/840 PSU D200 WH GM

High-gloss high reflectance - Transparent bowl with white cover
- 80° -

GreenSpace Gen5 is a new LED downlight range combining light efficiency and comfort with product diversity and system compatibility

Product data

| General information | |
|--|---|
| Beam angle of light source | 92° |
| Light source color | 840 neutral white |
| Light source replaceable | No |
| Number of gear units | 1 unit |
| Driver included | Yes |
| Optic type | High-gloss high reflectance |
| Optical cover/lens type | Transparent bowl with white cover |
| Luminaire light beam spread | 80° |
| Control interface | - |
| Connection | Push-in connector 6-pole |
| Protection class IEC | Safety class I |
| Glow-wire test | Temperature 650 °C, duration 30 s |
| Flammability mark | For mounting on normally flammable surfaces |
| CE mark | CE mark |
| Warranty period | 3 years |
| Constant light output | No |
| Number of products on MCB of 16 A type B | 48 |
| Light source engine type | LED |

| Operating and electrical | |
|-----------------------------|-------------------|
| Input Voltage | 220-240 V |
| Input Frequency | 50 or 60 Hz |
| Inrush current | 2.2 A |
| Inrush time | 0.045 ms |
| Power Factor (Min) | 0.95 |
| Controls and dimming | |
| Dimmable | No |
| Mechanical and housing | |
| Housing Material | Aluminum die cast |
| Reflector material | Polycarbonate |
| Optic material | Polycarbonate |
| Optical cover/lens material | Polycarbonate |
| Optical cover/lens finish | Matte |
| Overall length | 0 mm |
| Overall width | 0 mm |
| Overall height | 108 mm |
| Overall diameter | 216 mm |

GreenSpace G5

| | |
|-------|-----------------|
| Color | Black and white |
|-------|-----------------|

Approval and application

| | |
|------------------------------|--------------------------|
| Ingress protection code | IP20 [Finger-protected] |
| Mech. impact protection code | IK02 [0.2 J standard] |

Initial performance (IEC compliant)

| | |
|-------------------------------------|--------------------|
| Initial luminous flux (system flux) | 1600 lm |
| Luminous flux tolerance | +/-10% |
| Initial LED luminaire efficacy | 110 lm/W |
| Init. Corr. Color Temperature | 4000 K |
| Init. Color Rendering Index | >80 |
| Initial chromaticity | (0.38,0.38) SDCM<5 |
| Initial input power | 14.5 W |
| Power consumption tolerance | +/-10% |

Over time performance (IEC compliant)

| | |
|---------------------------|---------|
| Median useful life L70B50 | 50000 h |
|---------------------------|---------|

| | |
|---------------------------|---------|
| Median useful life L80B50 | 43000 h |
| Median useful life L90B50 | 20000 h |

Application conditions

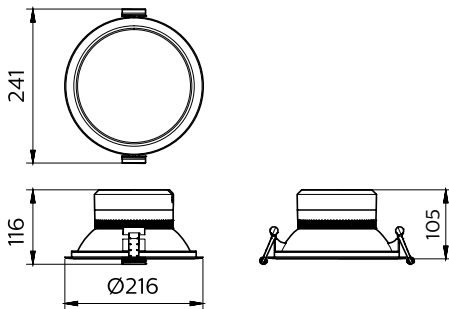
| | |
|---------------------------|----------------|
| Ambient temperature range | -20 to +40 °C |
| Maximum dim level | Not applicable |

Product data

| | |
|---------------------------------|---------------------------------|
| Full product code | 911401579641 |
| Order product name | DN392B LED16/840 PSU D200 WH GM |
| Order code | 911401579641 |
| Numerator - Quantity Per Pack | 1 |
| Numerator - Packs per outer box | 1 |
| Material Nr. (12NC) | 911401579641 |
| Copy Net Weight (Piece) | 0.550 kg |



Dimensional drawing



DN392B LED16/840 PSU D200 WH GM

