



LuxSpace G4

DN588B LED6/840 PSD C D125 WH WB GM

Reflector

LuxSpace Gen4 is the a new LED downlight range combining light comfort and leading performance with luxury looking

Product data

| General information | |
|---|--|
| Light source color | 840 neutral white |
| Light source replaceable | No |
| Number of gear units | 1 unit |
| Driver/power unit/transformer | Power supply unit external |
| Driver included | Yes |
| Optic type | Facetted reflector with beam angle 60° |
| Optical cover/lens type | Reflector |
| Control interface | DALI |
| Connection | Connector with 2 additional wires for light regulation |
| Protection class IEC | Safety class II |
| Glow-wire test | Temperature 650 °C, duration 30 s |
| Flammability mark | For mounting on normally flammable surfaces |
| CE mark | CE mark |
| Warranty period | 3 years |
| Constant light output | No |
| Number of products on MCB of 16 A type B 24 | |
| EU RoHS compliant | Yes |
| Light source engine type | LED |

| Operating and electrical | |
|--------------------------|--------------|
| Input Voltage | 220 to 240 V |
| Input Frequency | 50 or 60 Hz |
| Inrush current | 16 A |
| Inrush time | 0.22 ms |
| Power Factor (Min) | 0.9 |

| Controls and dimming | |
|----------------------|-----|
| Dimmable | Yes |

| Mechanical and housing | |
|-----------------------------|-------------------------------|
| Housing Material | Aluminum die cast |
| Reflector material | Polycarbonate aluminum coated |
| Optic material | Polycarbonate |
| Optical cover/lens material | Polycarbonate |
| Fixation material | Steel |
| Optical cover/lens finish | Textured |
| Overall length | 0 mm |
| Overall width | 0 mm |
| Overall height | 90 mm |
| Overall diameter | 137 mm |

LuxSpace G4

| | |
|-------|-----------------|
| Color | White and black |
|-------|-----------------|

Approval and application

| | |
|------------------------------|--------------------------|
| Ingress protection code | IP20 [Finger-protected] |
| Mech. impact protection code | IK03 [0.3 J] |

Initial performance (IEC compliant)

| | |
|-------------------------------------|----------|
| Initial luminous flux (system flux) | 750 lm |
| Luminous flux tolerance | +/-10% |
| Initial LED luminaire efficacy | 114 lm/W |
| Init. Corr. Color Temperature | 4000 K |
| Init. Color Rendering Index | >80 |
| Initial input power | 6.6 W |
| Power consumption tolerance | +/-10% |

Over time performance (IEC compliant)

| | |
|---------------------------|---------|
| Median useful life L70B50 | 50000 h |
| Median useful life L80B50 | 50000 h |

| | |
|---------------------------|---------|
| Median useful life L90B50 | 21000 h |
|---------------------------|---------|

Application conditions

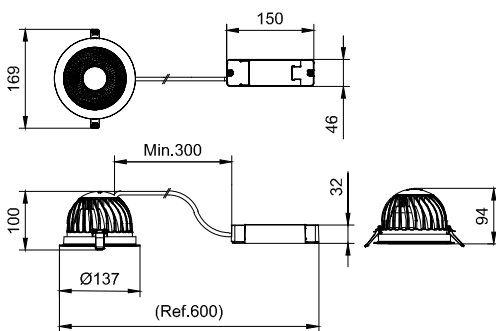
| | |
|---------------------------|---------------|
| Ambient temperature range | -20 to +40 °C |
| Maximum dim level | 1% |

Product data

| | |
|---------------------------------|-------------------------------------|
| Full product code | 911401548741 |
| Order product name | DN588B LED6/840 PSD C D125 WH WB GM |
| Order code | 911401548741 |
| Numerator - Quantity Per Pack | 1 |
| Numerator - Packs per outer box | 1 |
| Material Nr. (12NC) | 911401548741 |
| Copy Net Weight (Piece) | 0.499 kg |



Dimensional drawing



DN588B LED6/840 PSD C D125 WH WB GM

