



# LuxSpace G4

**DN589B LED10/830 PSD C D150 WH WB WP GM**

## Reflector

LuxSpace Gen4 is the a new LED downlight range combining light comfort and leading performance with luxury looking

### Product data

| General information                         |  |
|---|--|
| Light source color                          | 830 warm white   |
| Light source replaceable                    | No   |
| Number of gear units                        | 1 unit   |
| Driver/power unit/transformer               | Power supply unit external                             |
| Driver included                             | Yes  |
| Optic type                                  | Facetted reflector with beam angle 60°                 |
| Optical cover/lens type                     | Reflector  |
| Control interface                           | DALI   |
| Connection                                  | Connector with 2 additional wires for light regulation |
| Protection class IEC                        | Safety class II  |
| Glow-wire test                              | Temperature 650 °C, duration 30 s                      |
| Flammability mark                           | For mounting on normally flammable surfaces            |
| CE mark                                     | CE mark  |
| Warranty period                             | 3 years  |
| Constant light output                       | No   |
| Number of products on MCB of 16 A type B 24 |  |
| EU RoHS compliant                           | Yes  |
| Light source engine type                    | LED  |

| Operating and electrical |              |
|--------------------------|--------------|
| Input Voltage            | 220 to 240 V |
| Input Frequency          | 50 or 60 Hz  |
| Inrush current           | 16 A         |
| Inrush time              | 0.22 ms      |
| Power Factor (Min)       | 0.9          |

| Controls and dimming |     |
|----------------------|-----|
| Dimmable             | Yes |

| Mechanical and housing      |                               |
|-----------------------------|-------------------------------|
| Housing Material            | Aluminum die cast             |
| Reflector material          | Polycarbonate aluminum coated |
| Optic material              | Polycarbonate                 |
| Optical cover/lens material | Polycarbonate                 |
| Fixation material           | Steel                         |
| Optical cover/lens finish   | Textured                      |
| Overall length              | 0 mm                          |
| Overall width               | 0 mm                          |
| Overall height              | 100 mm                        |
| Overall diameter            | 162 mm                        |

# LuxSpace G4

|       |                 |
|-------|-----------------|
| Color | White and black |
|-------|-----------------|

## Approval and application

|                              |   |
|------------------------------|---|
| Ingress protection code      | IP54/20 [ Dust accumulation protected, splash-proof/finger protected] |
| Mech. impact protection code | IK03 [ 0.3 J]   |

## Initial performance (IEC compliant)

|                                     |          |
|-------------------------------------|----------|
| Initial luminous flux (system flux) | 940 lm   |
| Luminous flux tolerance             | +/-10%   |
| Initial LED luminaire efficacy      | 112 lm/W |
| Init. Corr. Color Temperature       | 3000 K   |
| Init. Color Rendering Index         | >80      |
| Initial input power                 | 8.4 W    |
| Power consumption tolerance         | +/-10%   |

## Over time performance (IEC compliant)

|                           |         |
|---------------------------|---------|
| Median useful life L70B50 | 50000 h |
| Median useful life L80B50 | 50000 h |

|                           |         |
|---------------------------|---------|
| Median useful life L90B50 | 21000 h |
|---------------------------|---------|

## Application conditions

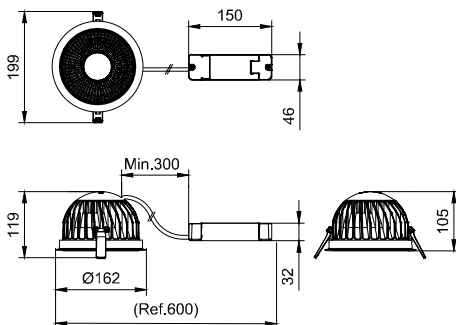
|                           |               |
|---------------------------|---------------|
| Ambient temperature range | -20 to +40 °C |
| Maximum dim level         | 1%            |

## Product data

|                                 |  |
|---------------------------------|--|
| Full product code               | 911401550641                               |
| Order product name              | DN589B LED10/830 PSD C D150 WH WB<br>WP GM |
| Order code                      | 911401550641                               |
| Numerator - Quantity Per Pack   | 1  |
| Numerator - Packs per outer box | 1  |
| Material Nr. (12NC)             | 911401550641                               |
| Copy Net Weight (Piece)         | 0.799 kg                                   |



## Dimensional drawing



DN589B LED10/830 PSD C D150 WH WB WP GM

