

# Green Perform Troffer

## SM100C LED27S 840 W60L60 PSU G3

Variable linear-lens array in polycarbonate cover -

GreenPerform troffer improves the compact design of the last generation with performance improvement and more variants for different markets. Integrating with all available system: POE, InterAct office wireless, InterAct Office Pro, ActiLume controller, GreenPerform troffer offers additional energy saving and connected features.

### Product data

General information		Input Frequency	
Light source color	840 neutral white	Input Frequency	50 to 60 Hz
Light source replaceable	No	Inrush current	3 A
Number of gear units	1 unit	Inrush time	62 ms
Driver included	Yes	Power Factor (Min)	0.9
Optical cover/lens type	Variable linear-lens array in polycarbonate cover	Controls and dimming	
Control interface	-	Dimmable	No
Protection class IEC	Safety class I	Mechanical and housing	
Glow-wire test	Temperature 600 °C, duration 30 s	Housing Material	Metal
Flammability mark	For mounting on normally flammable surfaces	Optic material	Polycarbonate
CE mark	CE mark	Optical cover/lens material	Polycarbonate
Warranty period	3 years	Fixation material	Steel
Constant light output	No	Optical cover/lens finish	Ribbed
Number of products on MCB of 16 A type B 24		Overall length	597 mm
Light source engine type	LED	Overall width	597 mm
		Overall height	56 mm
		Color	White
Operating and electrical			
Input Voltage	220 to 240 V		

# Green Perform Troffer

## Approval and application

Ingress protection code	IP20 [ Finger-protected]
Mech. impact protection code	IK03 [ 0.3 J]

## Initial performance (IEC compliant)

Initial luminous flux (system flux)	2700 lm
Luminous flux tolerance	+/-10%
Initial LED luminaire efficacy	117 lm/W
Init. Corr. Color Temperature	4000 K
Init. Color Rendering Index	80
Initial chromaticity	SDCM<4
Initial input power	23 W
Power consumption tolerance	+/-10%

## Over time performance (IEC compliant)

Median useful life L70B50	50000 h
---------------------------	---------

## Application conditions

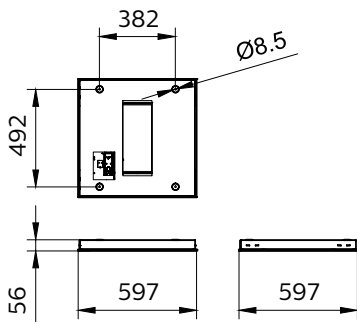
Ambient temperature range	-20 to +40 °C
Suitable for random switching	No

## Product data

Full product code	911401509951
Order product name	SM100C LED27S 840 W60L60 PSU G3
Order code	911401509951
Numerator - Quantity Per Pack	1
Numerator - Packs per outer box	2
Material Nr. (12NC)	911401509951
Copy Net Weight (Piece)	5.300 kg



## Dimensional drawing



SM100C LED27S 840 W60L60 PSU G3

