



Green Perform Troffer

SM100C LED37S 865 W603L603 PSD G3

Variable linear-lens array in polycarbonate cover -

GreenPerform troffer improves the compact design of the last generation with performance improvement and more variants for different markets. Integrating with all available system: POE, InterAct office wireless, InterAct Office Pro, ActiLume controller, GreenPerform troffer offers additional energy saving and connected features.

Product data

| General information | |
|---|---|
| Light source color | 865 cool daylight |
| Light source replaceable | No |
| Number of gear units | 1 unit |
| Driver included | Yes |
| Optical cover/lens type | Variable linear-lens array in polycarbonate cover |
| Control interface | DALI |
| Protection class IEC | Safety class I |
| Glow-wire test | Temperature 600 °C, duration 30 s |
| Flammability mark | For mounting on normally flammable surfaces |
| CE mark | CE mark |
| Warranty period | 3 years |
| Constant light output | No |
| Number of products on MCB of 16 A type B 24 | |
| Light source engine type | LED |
| Operating and electrical | |
| Input Voltage | 220 to 240 V |

| Input Frequency | 50 to 60 Hz |
|-----------------------------|---------------|
| Inrush current | 21 A |
| Inrush time | 280 ms |
| Power Factor (Min) | 0.9 |
| Controls and dimming | |
| Dimmable | Yes |
| Mechanical and housing | |
| Housing Material | Metal |
| Optic material | Polycarbonate |
| Optical cover/lens material | Polycarbonate |
| Fixation material | Steel |
| Optical cover/lens finish | Ribbed |
| Overall length | 603 mm |
| Overall width | 603 mm |
| Overall height | 56 mm |
| Color | White |

Green Perform Troffer

Approval and application

| | |
|------------------------------|--------------------------|
| Ingress protection code | IP20 [Finger-protected] |
| Mech. impact protection code | IK03 [0.3 J] |

Initial performance (IEC compliant)

| | |
|-------------------------------------|----------|
| Initial luminous flux (system flux) | 3700 lm |
| Luminous flux tolerance | +/-10% |
| Initial LED luminaire efficacy | 116 lm/W |
| Init. Corr. Color Temperature | 6500 K |
| Init. Color Rendering Index | 80 |
| Initial chromaticity | SDCM<4 |
| Initial input power | 32 W |
| Power consumption tolerance | +/-10% |

Over time performance (IEC compliant)

| | |
|---------------------------|---------|
| Median useful life L70B50 | 50000 h |
|---------------------------|---------|

Application conditions

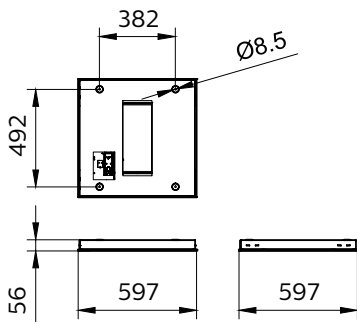
| | |
|-------------------------------|---------------|
| Ambient temperature range | -20 to +40 °C |
| Suitable for random switching | No |

Product data

| | |
|---------------------------------|-----------------------------------|
| Full product code | 911401510451 |
| Order product name | SM100C LED375 865 W603L603 PSD G3 |
| Order code | 911401510451 |
| Numerator - Quantity Per Pack | 1 |
| Numerator - Packs per outer box | 2 |
| Material Nr. (12NC) | 911401510451 |
| Copy Net Weight (Piece) | 5.300 kg |



Dimensional drawing



SM100C LED375 865 W603L603 PSD G3

