



# Green Perform Troffer

## SM100C LED54S 840 W60L120 PSD G3

Variable linear-lens array in polycarbonate cover -

GreenPerform troffer improves the compact design of the last generation with performance improvement and more variants for different markets. Integrating with all available system: POE, InterAct office wireless, InterAct Office Pro, ActiLume controller, GreenPerform troffer offers additional energy saving and connected features.

### Product data

General information	
Light source color	840 neutral white
Light source replaceable	No
Number of gear units	1 unit
Driver included	Yes
Optical cover/lens type	Variable linear-lens array in polycarbonate cover
Control interface	DALI
Protection class IEC	Safety class I
Glow-wire test	Temperature 600 °C, duration 30 s
Flammability mark	For mounting on normally flammable surfaces
CE mark	CE mark
Warranty period	3 years
Constant light output	No
Number of products on MCB of 16 A type B 24	
Light source engine type	LED
Operating and electrical	
Input Voltage	220 to 240 V

Input Frequency	50 to 60 Hz
Inrush current	21 A
Inrush time	280 ms
Power Factor (Min)	0.9
Controls and dimming	
Dimmable	Yes
Mechanical and housing	
Housing Material	Metal
Optic material	Polycarbonate
Optical cover/lens material	Polycarbonate
Fixation material	Steel
Optical cover/lens finish	Ribbed
Overall length	1197 mm
Overall width	597 mm
Overall height	56 mm
Color	White

# Green Perform Troffer

## Approval and application

Ingress protection code	IP20 [ Finger-protected]
Mech. impact protection code	IK03 [ 0.3 J]

## Initial performance (IEC compliant)

Initial luminous flux (system flux)	5400 lm
Luminous flux tolerance	+/-10%
Initial LED luminaire efficacy	123 lm/W
Init. Corr. Color Temperature	4000 K
Init. Color Rendering Index	80
Initial chromaticity	SDCM<4
Initial input power	44 W
Power consumption tolerance	+/-10%

## Over time performance (IEC compliant)

Median useful life L70B50	50000 h
---------------------------	---------

## Application conditions

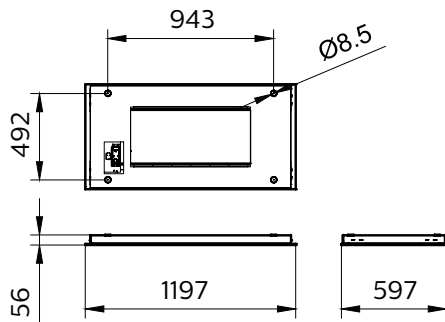
Ambient temperature range	-20 to +40 °C
Suitable for random switching	No

## Product data

Full product code	911401519751
Order product name	SM100C LED54S 840 W60L120 PSD G3
Order code	911401519751
Numerator - Quantity Per Pack	1
Numerator - Packs per outer box	2
Material Nr. (12NC)	911401519751
Copy Net Weight (Piece)	8.600 kg



## Dimensional drawing



SM100C LED54S 840 W60L120 PSD G3

