



# SlimBalance

## SP551P LED20S 840 L60 PSU SD GM SQ

- - Wide beam - Linear-lens array in polycarbonate cover - 60°

SlimBalance is a full range of product family with sleek and elegant design helps to create attractive and differentiated space for customers. The family covers different length (600mm, 1200mm,1500mm), different end cap (round, square) and different light distribution (direct, indirect).;Its office compliant version delivers comfortable light with good quality.

### Warnings and Safety

- The product is IPX0 & as such is not protected against water ingress & as such we strongly recommend that the environment in which the luminaire is to be installed is suitably checked
- If the above advice is not taken and the luminaires are subject to water ingress, Philips / Signify cannot guarantee safe failure & product warranty will become void

### Product data

| General information           |  | Operating and electrical                 |                                   |
|-------------------------------|--|--|-----------------------------------|
| Beam angle of light source    | - °                                      | Glow-wire test                           | Temperature 650 °C, duration 30 s |
| Light source color            | 840 neutral white                        | Flammability mark                        | -                                 |
| Light source replaceable      | No                                       | CE mark                                  | CE mark                           |
| Number of gear units          | 1 unit                                   | ENEC mark                                | -                                 |
| Driver/power unit/transformer | -  | Warranty period                          | 3 years                           |
| Driver included               | Yes                                      | Constant light output                    | No                                |
| Optic type                    | Wide beam                                | Number of products on MCB of 16 A type B | 33                                |
| Optical cover/lens type       | Linear-lens array in polycarbonate cover | EU RoHS compliant                        | Yes                               |
| Luminaire light beam spread   | 60°                                      | Light source engine type                 | LED                               |
| Control interface             | -  |  |                                   |
| Connection                    | Flying leads/wires                       | Input Voltage                            | 220/240 V                         |
| Cable                         | -  | Input Frequency                          | 50 to 60 Hz                       |
| Protection class IEC          | Safety class I                           | Inrush current                           | 14 A                              |

# SlimBalance

|                    |        |
|--------------------|--------|
| Inrush time        | 250 ms |
| Power Factor (Min) | 0.95   |

## Controls and dimming

|          |    |
|----------|----|
| Dimmable | No |
|----------|----|

## Mechanical and housing

|                             |               |
|-----------------------------|---------------|
| Housing Material            | Metal         |
| Reflector material          | -             |
| Optic material              | Polycarbonate |
| Optical cover/lens material | Polycarbonate |
| Fixation material           | Steel         |
| Optical cover/lens finish   | Opal          |
| Overall length              | 630 mm        |
| Overall width               | 70 mm         |
| Overall height              | 105 mm        |
| Color                       | Silver        |

## Approval and application

|                              |                          |
|------------------------------|--------------------------|
| Ingress protection code      | IP20 [ Finger-protected] |
| Mech. impact protection code | IK03 [ 0.3 J]            |

## Initial performance (IEC compliant)

|                                     |         |
|-------------------------------------|---------|
| Initial luminous flux (system flux) | 2000 lm |
| Luminous flux tolerance             | +/-10%  |

|                                |                      |
|--------------------------------|----------------------|
| Initial LED luminaire efficacy | 111.11 lm/W          |
| Init. Corr. Color Temperature  | 4000 K               |
| Init. Color Rendering Index    | >80                  |
| Initial chromaticity           | (0.38, 0.38) SDCM< 3 |
| Initial input power            | 18 W                 |
| Power consumption tolerance    | +/-10%               |

## Over time performance (IEC compliant)

|                           |         |
|---------------------------|---------|
| Median useful life L70B50 | 50000 h |
|---------------------------|---------|

## Application conditions

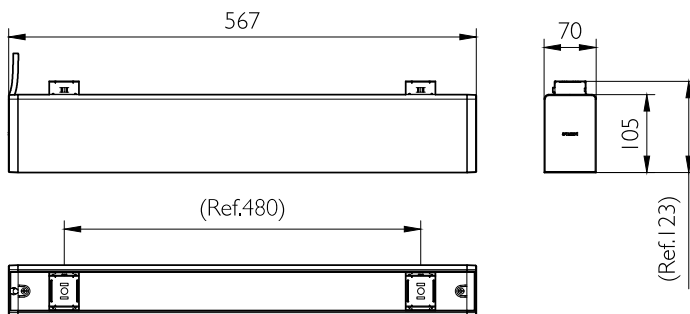
|                           |                |
|---------------------------|----------------|
| Ambient temperature range | -20 to +40 °C  |
| Maximum dim level         | Not applicable |

## Product data

|                                 |                                    |
|---------------------------------|------------------------------------|
| Full product code               | 911401530341                       |
| Order product name              | SP551P LED20S 840 L60 PSU SD GM SQ |
| Order code                      | 911401530341                       |
| Numerator - Quantity Per Pack   | 1                                  |
| Numerator - Packs per outer box | 2                                  |
| Material Nr. (12NC)             | 911401530341                       |
| Net Weight (Piece)              | 1.849 kg                           |



## Dimensional drawing



SP551P LED20S 840 L60 PSU SD GM SQ

