



SlimBalance

SP551P LED20S 840 L60 PSU SD GM

- - Wide beam - Linear-lens array in polycarbonate cover - 60°

SlimBalance is a full range of product family with sleek and elegant design helps to create attractive and differentiated space for customers. The family covers different length (600mm, 1200mm,1500mm), different end cap (round, square) and different light distribution (direct, indirect).;Its office compliant version delivers comfortable light with good quality.

Warnings and Safety

- The product is IPX0 & as such is not protected against water ingress & as such we strongly recommend that the environment in which the luminaire is to be installed is suitably checked
- If the above advice is not taken and the luminaires are subject to water ingress, Philips / Signify cannot guarantee safe failure & product warranty will become void

Product data

General information		Operating and electrical	
Beam angle of light source	- °	Glow-wire test	Temperature 650 °C, duration 30 s
Light source color	840 neutral white	Flammability mark	-
Light source replaceable	No	CE mark	CE mark
Number of gear units	1 unit	ENEC mark	-
Driver/power unit/transformer	-	Warranty period	3 years
Driver included	Yes	Constant light output	No
Optic type	Wide beam	Number of products on MCB of 16 A type B	33
Optical cover/lens type	Linear-lens array in polycarbonate cover	EU RoHS compliant	Yes
Luminaire light beam spread	60°	Light source engine type	LED
Control interface	-		
Connection	Flying leads/wires	Input Voltage	220/240 V
Cable	-	Input Frequency	50 to 60 Hz
Protection class IEC	Safety class I	Inrush current	14 A

SlimBalance

Inrush time	250 ms
Power Factor (Min)	0.95

Controls and dimming

Dimmable	No
----------	----

Mechanical and housing

Housing Material	Metal
Reflector material	-
Optic material	Polycarbonate
Optical cover/lens material	Polycarbonate
Fixation material	Steel
Optical cover/lens finish	Opal
Overall length	630 mm
Overall width	70 mm
Overall height	105 mm
Color	Silver

Approval and application

Ingress protection code	IP20 [Finger-protected]
Mech. impact protection code	IK03 [0.3 J]

Initial performance (IEC compliant)

Initial luminous flux (system flux)	2000 lm
Luminous flux tolerance	+/-10%

Initial LED luminaire efficacy	111.11 lm/W
Init. Corr. Color Temperature	4000 K
Init. Color Rendering Index	>80
Initial chromaticity	(0.38, 0.38) SDCM< 3
Initial input power	18 W
Power consumption tolerance	+/-10%

Over time performance (IEC compliant)

Median useful life L70B50	50000 h
---------------------------	---------

Application conditions

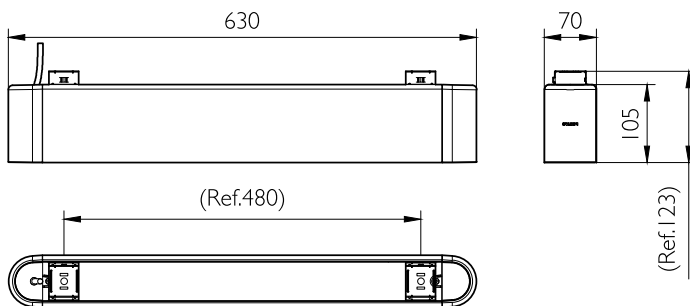
Ambient temperature range	-20 to +40 °C
Maximum dim level	Not applicable

Product data

Full product code	911401523941
Order product name	SP551P LED20S 840 L60 PSU SD GM
Order code	911401523941
Numerator - Quantity Per Pack	1
Numerator - Packs per outer box	2
Material Nr. (12NC)	911401523941
Net Weight (Piece)	1.849 kg



Dimensional drawing



SP551P LED20S 840 L60 PSU SD GM

