

# Smartbright waterproof G3 (WT068C)



WT066C



**FW/TB -> Quick Connector**

**IP65 -> IP66**

**90 Lm/Watt -> 110 Lm /Watt**





# WT068C

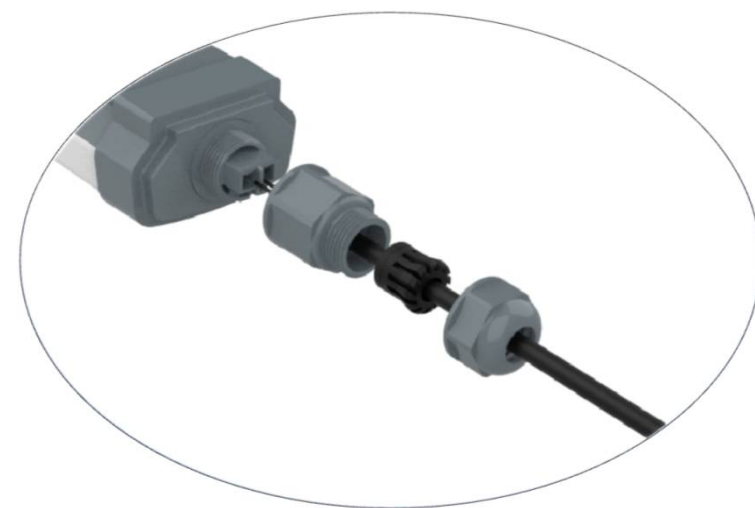
DOB WP (Color: Light Gray) Diffuser White

## dimension/mm :

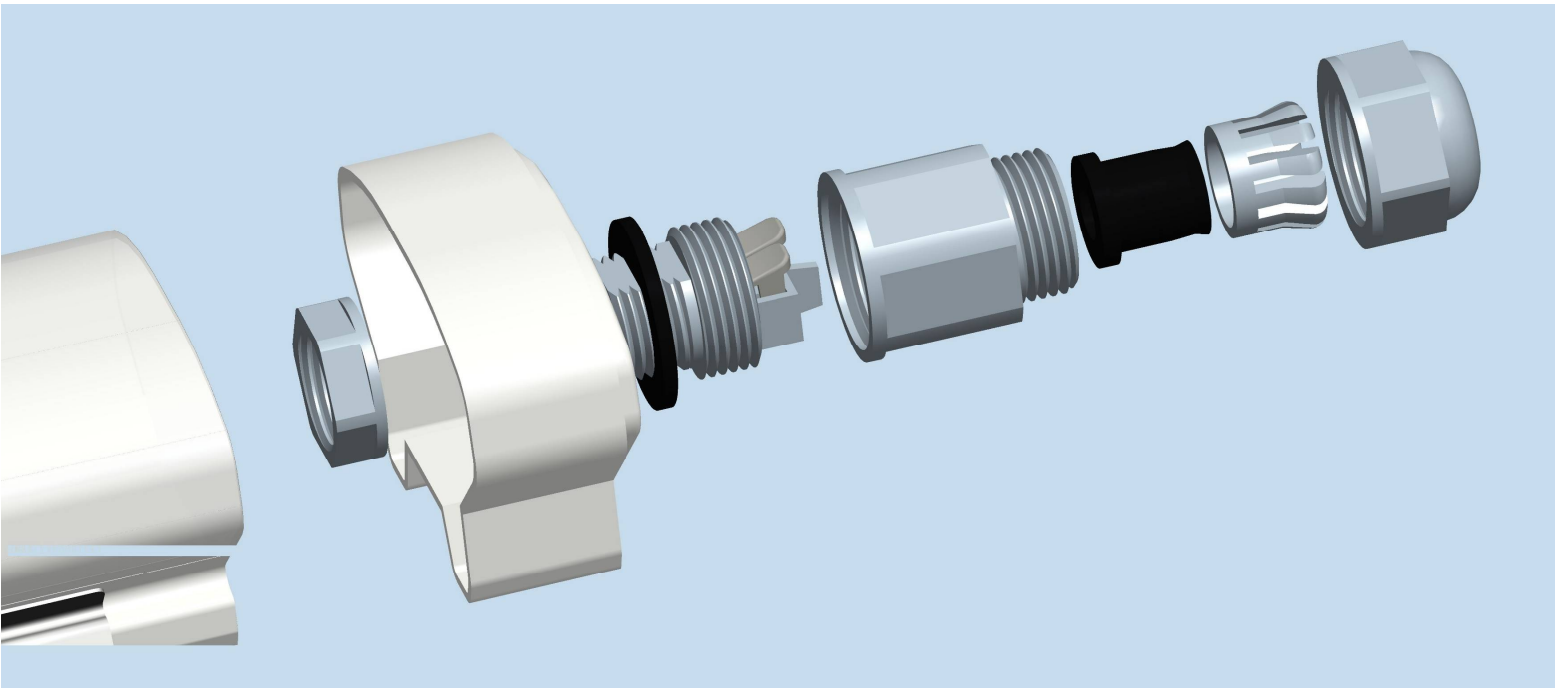
L600: 590×68.5×42.5

L1200: 1180×68.5×42.5

L1500: 1480×68.5×42.5



# Toolless Quick connector



# Smartbright waterproof G3 (WT068C) Spec Sheet

<b>1. Lighting</b>	Lumen output (2ft/4ft/5ft)	1800 / 3600 / 5600 lm
	CRI	CRI > 80
	CCT	4000k / 6500k
	SDCM	<5
<b>2. Electronics</b>	Driver	DOB
	Safety Class	Class II
	Power Factor	0.9
	System Efficacy	110 lm/w
	Ripple (filcker)	NA
<b>3. Mechanics</b>	Housing / cover material	PC (no bending) / PC
	IP / IK	IP66 / IK06
	Glow wire rating	650°C
	Fire-rated	V2
	Power connection	Toolless quick connector
	Loop in capacity	As per design
	Packaging	Brown box
<b>4. Thermal</b>	Operating temp	-20C to +45C
<b>5. Reliability</b>	Lifetime	30K hrs , L70B50@25°C
	Warranty	3 Years
<b>7. Approbation</b>	Approbation	CB, CE, CCC
	Ta	Ta25°C
<b>8. Others</b>	RoHS/REACH	Y

# WT068C Product scope

## WT066C

Length	Lumen	CCT	Connection
L600	900	NW/CW	FW/TB
	1800		
	900		TW
	1800		

## WT068C

Length	Lumen	CCT	Connection
L600	1800	NW/CW	Quick Connector
	1800		TW

=> Terminal Block and Fly wire version to be replaced by Quick Connector version

⇒ Through Wire version to continue

⇒ Lower Lumen package to discontinue

Length	Lumen	CCT	Connection
L1200	1800	NW/CW	FW/TB
	3600		
	1800		TW
	3600		

Length	Lumen	CCT	Connection
L1200	3600	NW/CW	Quick Connector
	3600		TW

Length	Lumen	CCT	Connection
L1500	4500	NW/CW	FW/TB
	4500		TW

Length	Lumen	CCT	Connection
L1500	5600	NW/CW	Quick Connector
	5600		TW

Signify