



GreenPerform Highbay G5

BY698X G5 LED105/CW L1 W WB GM

Lens

The GreenPerform Highbay G5 continues the GreenPerform family's enviable reputation for reliable performance. Not only does it deliver leading system efficacy and extended long-term quality, it also promises Unified Glare Rating (UGR) control with compact dimensions. GreenPerform Highbay G5 is also fully compatible with IoT software such as Interact, which is a scalable, future-proof control system. The family also has a series that supports cold room applications with 100% humidity and no condensation. All benefits that make this robust, optimized, and versatile family suitable for almost all industrial applications.

Product data

General information		Controls and dimming	
Light source color	865 cool daylight	Inrush current	40 A
Optical cover/lens type	Lens	Power Factor (Min)	0.95
Control interface	BLE	Controls and dimming	
Protection class IEC	Safety class I	Dimmable	Wireless Dim
Flammability mark	For mounting on normally flammable surfaces	Mechanical and housing	
CE mark	CE mark	Housing Material	Aluminum Alloy
Number of products on MCB of 16 A type B 6		Optical cover/lens material	Polycarbonate
Light source engine type	LED	Optical cover/lens finish	Clear
Operating and electrical		Overall length	435 mm
Input Voltage	220 to 240 V	Overall width	290 mm
Input Frequency	50 or 60 Hz	Overall height	100 mm

GreenPerform Highbay G5

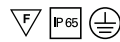
Color	Gray
Approval and application	
Ingress protection code	IP65 [Dust penetration-protected, jet-proof]
Mech. impact protection code	IK08 [6 J]
Initial performance (IEC compliant)	
Initial luminous flux (system flux)	10500 lm
Luminous flux tolerance	+/-10%
Initial LED luminaire efficacy	160 lm/W
Init. Corr. Color Temperature	6500 K
Init. Color Rendering Index	>80
Initial chromaticity	(0.316, 0.332) SDCM<5
Initial input power	67 W
Power consumption tolerance	+/-10%

Application conditions

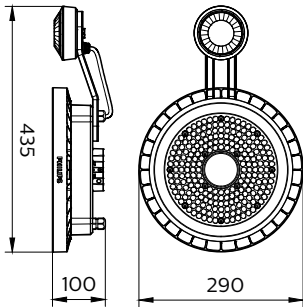
Ambient temperature range	-30 to +50 °C
---------------------------	---------------

Product data

Full product code	871951495520200
Order product name	BY698X G5 LED105/CW L1 W WB GM
EAN/UPC - Product	8719514955202
Order code	911401546602
Numerator - Quantity Per Pack	1
Numerator - Packs per outer box	1
Material Nr. (12NC)	911401546602
Net Weight (Piece)	2.090 kg



Dimensional drawing



BY698X G5 LED105/CW L1 W WB GM

