



# GreenPerform Highbay G5

BY698X G5 LED150/CW L1 W WB GM L3m

## Lens

The GreenPerform Highbay G5 continues the GreenPerform family's enviable reputation for reliable performance. Not only does it deliver leading system efficacy and extended long-term quality, it also promises Unified Glare Rating (UGR) control with compact dimensions. GreenPerform Highbay G5 is also fully compatible with IoT software such as Interact, which is a scalable, future-proof control system. The family also has a series that supports cold room applications with 100% humidity and no condensation. All benefits that make this robust, optimized, and versatile family suitable for almost all industrial applications.

## Product data

General information		Controls and dimming	
Light source color	865 cool daylight	Inrush current	40 A
Optical cover/lens type	Lens	Power Factor (Min)	0.95
Control interface	BLE	Mechanical and housing	
Protection class IEC	Safety class I	Housing Material	Aluminum Alloy
Flammability mark	For mounting on normally flammable surfaces	Optical cover/lens material	Polycarbonate
CE mark	CE mark	Optical cover/lens finish	Clear
Number of products on MCB of 16 A type B 6		Overall length	435 mm
Light source engine type	LED	Overall width	290 mm
Operating and electrical		Overall height	100 mm
Input Voltage	220 to 240 V		
Input Frequency	50 or 60 Hz		

## GreenPerform Highbay G5

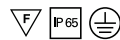
Color	Gray
<b>Approval and application</b>	
Ingress protection code	IP65 [ Dust penetration-protected, jet-proof]
Mech. impact protection code	IK08 [ 6 J]
<b>Initial performance (IEC compliant)</b>	
Initial luminous flux (system flux)	15000 lm
Luminous flux tolerance	+/-10%
Initial LED luminaire efficacy	160 lm/W
Init. Corr. Color Temperature	6500 K
Init. Color Rendering Index	>80
Initial chromaticity	(0.316, 0.332) SDCM<5
Initial input power	95 W
Power consumption tolerance	+/-10%

### Application conditions

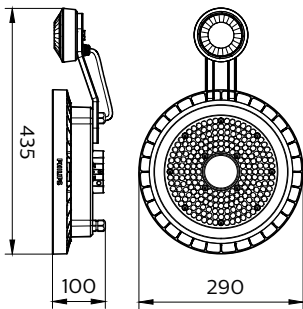
Ambient temperature range	-30 to +50 °C
---------------------------	---------------

### Product data

Full product code	871951495503500
Order product name	BY698X G5 LED150/CW L1 W WB GM L3m
EAN/UPC - Product	8719514955035
Order code	911401548302
Numerator - Quantity Per Pack	1
Numerator - Packs per outer box	1
Material Nr. (12NC)	911401548302
Net Weight (Piece)	2.290 kg



## Dimensional drawing



BY698X G5 LED150/CW L1 W WB GM L3m

