



# ActiStar

## BVP631 LED718/857 600W NB FP

ActiStar - 71800 lm - 600 W - 5700 K

Philips ActiStar Inherits and develops Philips brand floodlight consistent advantages to a new performance level to illuminate your recreational sports fields and areas with best-in-class LED technology. It's new ideal solution for a wide range of lighting applications, like recreational sports pitch, containers yard and ports, apron and industrial large areas, intersection road, etc. ActiStar will energize your sports facilities with uniformity and be able to enhance the safety of intersection roads by maximizing efficiencies. Optimized design for 1:1 retrofitting in compact size with lower weight, wide choice of optic, high manufacturing quality. It can deliver sufficient light at higher efficacy, and it incorporates best-in-class LED light source, modular optical system, heat sink and driver into one-piece housing that meets globally recognized safety standards. Its rigorous designed heat sink incorporates aesthetics and functionality to ensure excellent reliability. The superior lighting performance and longer lifetime to activate your and infinite potential, ActiStar.

### Product data

General information		Operating and electrical	
Light source color	857 daylight	Input Voltage	220-240 V
Driver included	Yes	Input Frequency	50 or 60 Hz
Optical cover/lens type	Polycarbonate bowl/cover	Inrush current	212 A
Control interface	DALI	Power Factor (Min)	0.95
Connection	Flying leads/wires	<b>Controls and dimming</b>	
Cable	Cable 1.5 m without plug	Dimmable	Yes
Protection class IEC	Safety class I	<b>Mechanical and housing</b>	
Flammability mark	-	Housing Material	Aluminum Alloy
CE mark	CE mark	Optical cover/lens material	Polycarbonate

# ActiStar

Overall length	740 mm
Overall width	657 mm
Overall height	89 mm
Effective projected area	0.4 m <sup>2</sup>
Color	Gray

## Approval and application

Ingress protection code	IP66 [ Dust penetration-protected, jet-proof]
Mech. impact protection code	IK08 [ 5 J vandal-protected]

## Initial performance (IEC compliant)

Initial luminous flux (system flux)	71800 lm
Luminous flux tolerance	+/-10%
Initial LED luminaire efficacy	119.67 lm/W
Init. Corr. Color Temperature	5700 K
Init. Color Rendering Index	>80
Initial chromaticity	0.3287, 0.3425

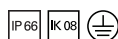
Initial input power	600 W
Power consumption tolerance	+/-10%

## Application conditions

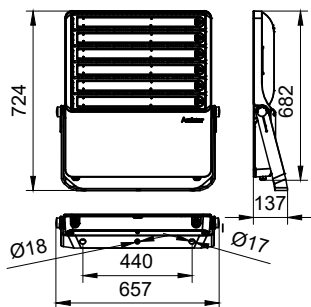
Ambient temperature range	-40 to +50 °C
---------------------------	---------------

## Product data

Order product name	BVP631 LED718/857 600W NB FP
Order code	911401616108
Numerator - Quantity Per Pack	1
Numerator - Packs per outer box	1
Material Nr. (12NC)	911401616108
Net Weight (Piece)	27.790 kg



## Dimensional drawing



BVP631 LED718/857 600W NB FP

