



GreenUp Magnetic Flex

ST307M GL P8 940 PSR-E 1-10V OP

Polycarbonate micro lens optic

Retail & Hospitality has a clear trend that clusters of choices is one of the most important DNAs that being strongly expected in this specific applications. GreenUp Magnetic Flex is a comprehensive product family with magnetic design which supports an easier and flexible way of installation and commissioning. It offers a complete range of options with product diversity and control availability. GreenUp Magnetic Flex gives you a plenty of flexibility to create the lighting magics.

Product data

General information		Controls and dimming	
Light source color	940 neutral white	Dimmable	Yes
Optical cover/lens type	Polycarbonate micro lens optic		
Control interface	depends on driver (1-10V, DALI...)		
Protection class IEC	Safety class III		
CE mark	-		
Number of products on MCB of 16 A type B	-		
Light source engine type	-		
Operating and electrical		Mechanical and housing	
Input Voltage	24 V	Housing Material	Aluminum extruded
Input Frequency	- Hz	Optical cover/lens material	Polycarbonate
Inrush current	0.15 A	Optical cover/lens finish	Smoke
Power Factor (Min)	0.9	Color	Black
		Approval and application	
		Ingress protection code	IP20 [Finger-protected]
		Mech. impact protection code	IK03 [0.3 J]
		Initial performance (IEC compliant)	
		Initial luminous flux (system flux)	280 lm
		Luminous flux tolerance	+/-10%

GreenUp Magnetic Flex

Initial LED luminaire efficacy	35 lm/W
Init. Corr. Color Temperature	4000 K
Init. Color Rendering Index	>90
Initial input power	8 W
Power consumption tolerance	+/-10%

Application conditions

Ambient temperature range	-20 to +40 °C
---------------------------	---------------

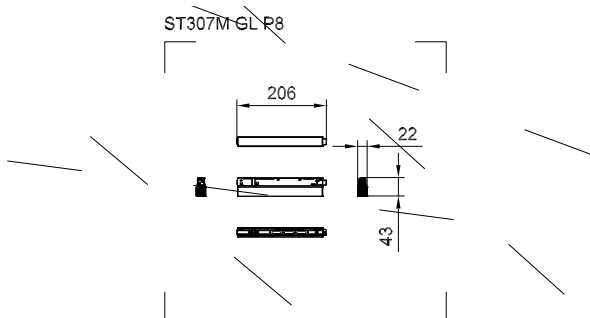
Product data

Order product name	ST307M GL P8 940 PSR-E 1-10V OP
--------------------	---------------------------------

Order code	911401558702
Numerator - Quantity Per Pack	1
Numerator - Packs per outer box	30
Material Nr. (12NC)	911401558702
Net Weight (Piece)	0.130 kg



Dimensional drawing



ST307M GL P8 940 PSR-E 1-10V OP

