



GreenUp Magnetic Flex

ST307M SS P5 940 PSR-E 1-10V MB

Polycarbonate micro lens optic

Retail & Hospitality has a clear trend that clusters of choices is one of the most important DNAs that being strongly expected in this specific applications. GreenUp Magnetic Flex is a comprehensive product family with magnetic design which supports an easier and flexible way of installation and commissioning. It offers a complete range of options with product diversity and control availability. GreenUp Magnetic Flex gives you a plenty of flexibility to create the lighting magics.

Product data

General information		Controls and dimming	
Light source color	940 neutral white	Dimmable	Yes
Optical cover/lens type	Polycarbonate micro lens optic		
Control interface	depends on driver (1-10V, DALI...)	Mechanical and housing	
Protection class IEC	Safety class III	Housing Material	Aluminum extruded
CE mark	-	Optical cover/lens material	Polycarbonate
Number of products on MCB of 16 A type B	-	Optical cover/lens finish	Smoke
Light source engine type	-	Color	Black
Operating and electrical		Approval and application	
Input Voltage	24 V	Ingress protection code	IP20 [Finger-protected]
Input Frequency	- Hz	Mech. impact protection code	IK03 [0.3 J]
Inrush current	0.15 A	Initial performance (IEC compliant)	
Power Factor (Min)	0.9	Initial luminous flux (system flux)	400 lm
		Luminous flux tolerance	+/-10%

GreenUp Magnetic Flex

Initial LED luminaire efficacy	80 lm/W
Init. Corr. Color Temperature	4000 K
Init. Color Rendering Index	>90
Initial input power	5 W
Power consumption tolerance	+/-10%

Application conditions

Ambient temperature range	-20 to +40 °C
---------------------------	---------------

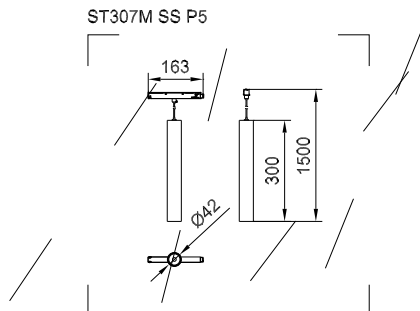
Product data

Order product name	ST307M SS P5 940 PSR-E 1-10V MB
--------------------	---------------------------------

Order code	911401559302
Numerator - Quantity Per Pack	1
Numerator - Packs per outer box	16
Material Nr. (12NC)	911401559302
Net Weight (Piece)	0.365 kg



Dimensional drawing



ST307M SS P5 940 PSR-E 1-10V MB

