



GreenUp Magnetic Flex

ST307M ST P9 940 PSU-E MB

Polycarbonate micro lens optic

Retail & Hospitality has a clear trend that clusters of choices is one of the most important DNAs that being strongly expected in this specific applications. GreenUp Magnetic Flex is a comprehensive product family with magnetic design which supports an easier and flexible way of installation and commissioning. It offers a complete range of options with product diversity and control availability. GreenUp Magnetic Flex gives you a plenty of flexibility to create the lighting magics.

Product data

General information		Controls and dimming	
Light source color	940 neutral white	Dimmable	No
Optical cover/lens type	Polycarbonate micro lens optic	Mechanical and housing	
Control interface	-	Housing Material	Aluminium
Protection class IEC	Safety class III	Optical cover/lens material	Polycarbonate
CE mark	-	Optical cover/lens finish	Clear
Number of products on MCB of 16 A type B	-	Color	Black
Light source engine type	-	Approval and application	
Operating and electrical		Ingress protection code	IP20 [Finger-protected]
Input Voltage	48 V	Mech. impact protection code	IK03 [0.3 J]
Input Frequency	- Hz	Initial performance (IEC compliant)	
Inrush current	0.15 A	Initial luminous flux (system flux)	675 lm
Power Factor (Min)	0.9	Luminous flux tolerance	+/-10%

GreenUp Magnetic Flex

Initial LED luminaire efficacy	75 lm/W
Init. Corr. Color Temperature	4000 K
Init. Color Rendering Index	>90
Initial input power	9 W
Power consumption tolerance	+/-10%

Application conditions

Ambient temperature range	-20 to +40 °C
---------------------------	---------------

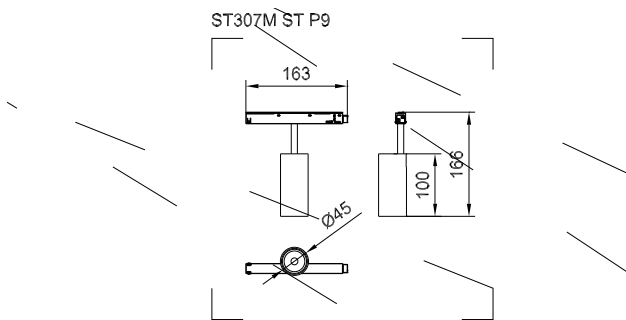
Product data

Order product name	ST307M ST P9 940 PSU-E MB
--------------------	---------------------------

Order code	911401548332
Numerator - Quantity Per Pack	1
Numerator - Packs per outer box	20
Material Nr. (12NC)	911401548332
Net Weight (Piece)	0.194 kg



Dimensional drawing



ST307M ST P9 940 PSU-E MB

