



# GreenUp Magnetic Flex

**ST307M ST P9 940 PSU-E WB**

Polycarbonate micro lens optic

Retail & Hospitality has a clear trend that clusters of choices is one of the most important DNAs that being strongly expected in this specific applications. GreenUp Magnetic Flex is a comprehensive product family with magnetic design which supports an easier and flexible way of installation and commissioning. It offers a complete range of options with product diversity and control availability. GreenUp Magnetic Flex gives you a plenty of flexibility to create the lighting magics.

## Product data

General information	
Light source color	940 neutral white
Optical cover/lens type	Polycarbonate micro lens optic
Control interface	-
Protection class IEC	Safety class III
CE mark	-
Number of products on MCB of 16 A type B	-
Light source engine type	-
Operating and electrical	
Input Voltage	48 V
Input Frequency	- Hz
Inrush current	0.15 A
Power Factor (Min)	0.9

Controls and dimming	
Dimmable	No
Mechanical and housing	
Housing Material	Aluminum extruded
Optical cover/lens material	Polycarbonate
Optical cover/lens finish	Smoke
Color	Black
Approval and application	
Ingress protection code	IP20 [ Finger-protected]
Mech. impact protection code	IK03 [ 0.3 J]
Initial performance (IEC compliant)	
Initial luminous flux (system flux)	675 lm
Luminous flux tolerance	+/-10%

# GreenUp Magnetic Flex

Initial LED luminaire efficacy	75 lm/W
Init. Corr. Color Temperature	4000 K
Init. Color Rendering Index	>90
Initial input power	9 W
Power consumption tolerance	+/-10%

## Application conditions

Ambient temperature range	-20 to +40 °C
---------------------------	---------------

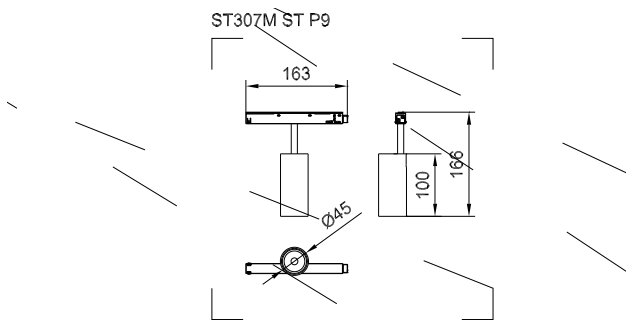
## Product data

Order product name	ST307M ST P9 940 PSU-E WB
--------------------	---------------------------

Order code	911401554602
Numerator - Quantity Per Pack	1
Numerator - Packs per outer box	20
Material Nr. (12NC)	911401554602
Net Weight (Piece)	0.194 kg



## Dimensional drawing



ST307M ST P9 940 PSU-E WB

