



# GreenUp Magnetic Flex

## ST307M TG P15 940 PSU-E MB

Polycarbonate bowl/cover

Retail & Hospitality has a clear trend that clusters of choices is one of the most important DNAs that being strongly expected in this specific applications. GreenUp Magnetic Flex is a comprehensive product family with magnetic design which supports an easier and flexible way of installation and commissioning. It offers a complete range of options with product diversity and control availability. GreenUp Magnetic Flex gives you a plenty of flexibility to create the lighting magics.

### Product data

General information		Controls and dimming	
Light source color	940 neutral white	Dimmable	No
Optical cover/lens type	Polycarbonate bowl/cover		
Control interface	-		
Protection class IEC	Safety class III		
CE mark	-		
Number of products on MCB of 16 A type B	-		
Light source engine type	-		
Operating and electrical		Mechanical and housing	
Input Voltage	48 V	Housing Material	Aluminium
Input Frequency	- Hz	Optical cover/lens material	Polycarbonate
Inrush current	0.15 A	Optical cover/lens finish	Clear
Power Factor (Min)	0.9	Color	Black
		Approval and application	
		Ingress protection code	IP20 [ Finger-protected]
		Mech. impact protection code	IK03 [ 0.3 J]
		Initial performance (IEC compliant)	
		Initial luminous flux (system flux)	1275 lm
		Luminous flux tolerance	+/-10%

# GreenUp Magnetic Flex

Initial LED luminaire efficacy	85 lm/W
Init. Corr. Color Temperature	4000 K
Init. Color Rendering Index	>90
Initial input power	15 W
Power consumption tolerance	+/-10%

## Application conditions

Ambient temperature range	-20 to +40 °C
---------------------------	---------------

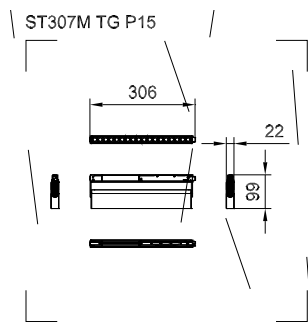
## Product data

Order product name	ST307M TG P15 940 PSU-E MB
--------------------	----------------------------

Order code	911401548632
Numerator - Quantity Per Pack	1
Numerator - Packs per outer box	12
Material Nr. (12NC)	911401548632
Net Weight (Piece)	0.323 kg



## Dimensional drawing



ST307M TG P15 940 PSU-E MB

