



GreenUp Magnetic Flex

ST307M TG P8 940 PSU-E MB

Polycarbonate bowl/cover

Retail & Hospitality has a clear trend that clusters of choices is one of the most important DNAs that being strongly expected in this specific applications. GreenUp Magnetic Flex is a comprehensive product family with magnetic design which supports an easier and flexible way of installation and commissioning. It offers a complete range of options with product diversity and control availability. GreenUp Magnetic Flex gives you a plenty of flexibility to create the lighting magics.

Product data

| General information | | Controls and dimming | |
|--|--------------------------|-------------------------------------|--------------------------|
| Light source color | 940 neutral white | Dimmable | No |
| Optical cover/lens type | Polycarbonate bowl/cover | | |
| Control interface | - | | |
| Protection class IEC | Safety class III | | |
| CE mark | - | | |
| Number of products on MCB of 16 A type B | - | | |
| Light source engine type | - | | |
| Operating and electrical | | Mechanical and housing | |
| Input Voltage | 48 V | Housing Material | Aluminum extruded |
| Input Frequency | - Hz | Optical cover/lens material | Polycarbonate |
| Inrush current | 0.15 A | Optical cover/lens finish | Smoke |
| Power Factor (Min) | 0.9 | Color | Black |
| | | Approval and application | |
| | | Ingress protection code | IP20 [Finger-protected] |
| | | Mech. impact protection code | IK03 [0.3 J] |
| | | Initial performance (IEC compliant) | |
| | | Initial luminous flux (system flux) | 640 lm |
| | | Luminous flux tolerance | +/-10% |

GreenUp Magnetic Flex

| | |
|--------------------------------|---------|
| Initial LED luminaire efficacy | 80 lm/W |
| Init. Corr. Color Temperature | 4000 K |
| Init. Color Rendering Index | >90 |
| Initial input power | 8 W |
| Power consumption tolerance | +/-10% |

Application conditions

| | |
|---------------------------|---------------|
| Ambient temperature range | -20 to +40 °C |
|---------------------------|---------------|

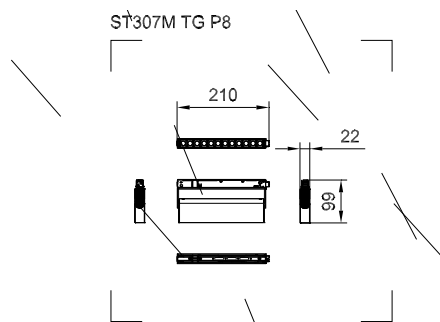
Product data

| | |
|--------------------|---------------------------|
| Order product name | ST307M TG P8 940 PSU-E MB |
|--------------------|---------------------------|

| | |
|---------------------------------|--------------|
| Order code | 911401555302 |
| Numerator - Quantity Per Pack | 1 |
| Numerator - Packs per outer box | 16 |
| Material Nr. (12NC) | 911401555302 |
| Net Weight (Piece) | 0.271 kg |



Dimensional drawing



ST307M TG P8 940 PSU-E MB

