



GreenSpace G6

DN391B LED13/865 P11PSU D100 AL WP GMG2

28, 11.4 W, Facetted reflector, Polycarbonate Diffuser, 60°

Philips GreenSpace G6 builds on the GreenSpace family’s reputation for superb performance, extremely low energy use, and high visual comfort. This next generation of reliable LED downlights comes in a highly-compact design with a deep, recessed architecture and increased reflector depth to highlight the smallest of details. GreenSpace G6 is also a shining example of versatility. This energy-saving LED downlight is available in a comprehensive range of configurations from 600 to 3,550 lumen, with the option to choose fixed, dimmable, or Interact Ready variants. This makes GreenSpace G6 the perfect ‘mix and match’ solution for potentially broad and extended applications that require different lighting ambiances, with one cohesive luminaire look and feel.

Product data

| General Information | | Optical cover/lens type | |
|------------------------------------|--------------------|--|------------------------------------|
| Driver included | Yes | Optical cover/lens type | Polycarbonate Diffuser |
| Gear | - | Luminaire light beam spread | 60° |
| Number of gear units | - | Operating and Electrical | |
| Light source engine type | LED | Input Voltage | 220 to 240 V |
| Light Technical | | Line Frequency | 50 or 60 Hz |
| Luminous Flux | 1,350 lumen | Input Frequency | 50 or 60 Hz |
| Correlated Color Temperature (Nom) | 6500 K | Inrush current | 14 A |
| Luminous Efficacy (rated) (Nom) | 118 lm/W | Inrush time | 0.01 ms |
| Color rendering index (CRI) | ≥80 | Power Consumption | 11.4 W |
| Number of light sources | 28 | Power Factor (Fraction) | 0.9 |
| Beam angle of light source | - degree(s) | Connection | Flying leads/wires |
| Light source color | 865 cool daylight | Cable | 2×0.75mm² Cable 0.2 m without plug |
| Optic type | Facetted reflector | Number of products on MCB of 16 A type B | 170 |

GreenSpace G6

Temperature

| | |
|---------------------------|---------------|
| Ambient temperature range | -20 to +40 °C |
|---------------------------|---------------|

Controls and Dimming

| | |
|-------------------|----|
| Dimmable | No |
| Control interface | - |

Mechanical and Housing

| | |
|-----------------------------|-----------------------------|
| Housing Material | Aluminum die-cast |
| Reflector material | Polycarbonate |
| Optic material | Polycarbonate |
| Optical cover/lens material | Polycarbonate |
| Housing Color | Black and white |
| Mounting device | Frame for recessed mounting |
| Optical cover/lens finish | Matte |
| Overall height | 68 mm |
| Overall diameter | 120 mm |

Approval and Application

| | |
|------------------------------|--|
| Ingress protection code | IP54/20 [Dust accumulation protected, splash-proof/finger protected] |
| Mech. impact protection code | IK03 [0.3 J] |
| Protection class IEC | Safety class II |
| Glow-wire test | Temperature 650 °C, duration 5 s |
| Flammability mark | - |
| CE mark | CE mark |
| ENEC mark | - |

| | |
|----------------------|--|
| Warranty period | 3 years |
| Photobiological risk | Photobiological risk group 1 @200mm to EN62778 |
| EU RoHS compliant | Yes |

Initial Performance (IEC Compliant)

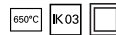
| | |
|-----------------------------|--------|
| Luminous flux tolerance | +/-10% |
| Initial chromaticity | 5 |
| Power consumption tolerance | +/-10% |

Application Conditions

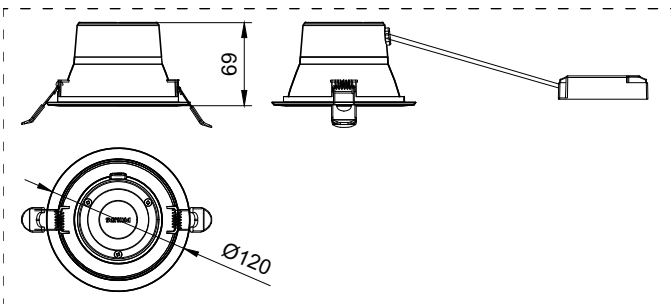
| | |
|------------------------------------|----------------|
| Performance ambient temperature Tq | 25 °C |
| Maximum dim level | Not applicable |
| Suitable for random switching | No |

Product Data

| | |
|---------------------------------|---|
| Order product name | DN391B LED13/865 P11PSU D100 AL WP GMG2 |
| Order code | 911401577232 |
| Numerator - Quantity Per Pack | 1 |
| Numerator - Packs per outer box | 4 |
| Material number (12NC) | 911401577232 |
| Full product name | DN391B LED13/865 P11PSU D100 AL WP GMG2 |



Dimensional drawing



GreenSpace G6

