



# GreenSpace G6

## DN392B LED17/865 P15PSD D150 AL GMG2

40, 15 W, Facetted reflector, Polycarbonate Diffuser, 60°

Philips GreenSpace G6 builds on the GreenSpace family's reputation for superb performance, extremely low energy use, and high visual comfort. This next generation of reliable LED downlights comes in a highly-compact design with a deep, recessed architecture and increased reflector depth to highlight the smallest of details. GreenSpace G6 is also a shining example of versatility. This energy-saving LED downlight is available in a comprehensive range of configurations from 600 to 3,550 lumen, with the option to choose fixed, dimmable, or Interact Ready variants. This makes GreenSpace G6 the perfect 'mix and match' solution for potentially broad and extended applications that require different lighting ambiances, with one cohesive luminaire look and feel.

### Product data

General Information		Optical cover/lens type	
Driver included	Yes	Polycarbonate Diffuser	
Gear	-	Luminaire light beam spread	
Number of gear units	-	60°	
Light source engine type	LED	Operating and Electrical	
Light Technical		Input Voltage	
Luminous Flux	1,700 lumen	220 to 240 V	
Correlated Color Temperature (Nom)	6500 K	Line Frequency	
Luminous Efficacy (rated) (Nom)	113 lm/W	50 or 60 Hz	
Color rendering index (CRI)	≥80	Input Frequency	
Number of light sources	40	50 or 60 Hz	
Beam angle of light source	- degree(s)	Inrush current	
Light source color	865 cool daylight	5.5 A	
Optic type	Facetted reflector	Inrush time	
		0.055 ms	
		Power Consumption	
		15 W	
		Power Factor (Fraction)	
		0.9	
		Connection	
		2 Push-in connector 2-pole	
		Cable	
		-	
		Number of products on MCB of 16 A type B	
		54	

# GreenSpace G6

## Temperature

Ambient temperature range	-20 to +40 °C
---------------------------	---------------

## Controls and Dimming

Dimmable	DALI
Control interface	DALI

## Mechanical and Housing

Housing Material	Aluminum die-cast
Reflector material	Polycarbonate
Optic material	Polycarbonate
Optical cover/lens material	Polycarbonate
Housing Color	Black and white
Mounting device	Frame for recessed mounting
Optical cover/lens finish	Matte
Overall height	80 mm
Overall diameter	162 mm

## Approval and Application

Ingress protection code	IP20 [Finger-protected]
Mech. impact protection code	IK03 [0.3 J]
Protection class IEC	Safety class II
Glow-wire test	Temperature 650 °C, duration 5 s
Flammability mark	-
CE mark	CE mark
ENEC mark	-

Warranty period	3 years
Photobiological risk	Photobiological risk group 1 @200mm to EN62778
EU RoHS compliant	Yes

## Initial Performance (IEC Compliant)

Luminous flux tolerance	+/-10%
Initial chromaticity	5
Power consumption tolerance	+/-10%

## Application Conditions

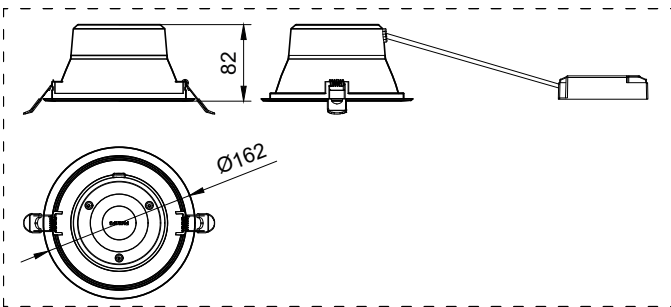
Performance ambient temperature Tq	25 °C
Maximum dim level	1%
Suitable for random switching	No

## Product Data

Order product name	DN392B LED17/865 P15PSD D150 AL GMG2
Order code	911401564932
Numerator - Quantity Per Pack	1
Numerator - Packs per outer box	4
Material number (12NC)	911401564932
Full product name	DN392B LED17/865 P15PSD D150 AL GMG2



## Dimensional drawing



## GreenSpace G6

