



GreenSpace G6

DN392X LED16/840 P15WIA D150 AL G2

48, 14.2 W, Facetted reflector, Polycarbonate Diffuser, 60°

Philips GreenSpace G6 builds on the GreenSpace family’s reputation for superb performance, extremely low energy use, and high visual comfort. This next generation of reliable LED downlights comes in a highly-compact design with a deep, recessed architecture and increased reflector depth to highlight the smallest of details. GreenSpace G6 is also a shining example of versatility. This energy-saving LED downlight is available in a comprehensive range of configurations from 600 to 3,550 lumen, with the option to choose fixed, dimmable, or Interact Ready variants. This makes GreenSpace G6 the perfect ‘mix and match’ solution for potentially broad and extended applications that require different lighting ambiances, with one cohesive luminaire look and feel.

Product data

| General Information | | Optical cover/lens type | |
|------------------------------------|--------------------|---|----------------------------|
| Driver included | Yes | Optical cover/lens type | Polycarbonate Diffuser |
| Gear | - | Luminaire light beam spread | 60° |
| Number of gear units | - | Operating and Electrical | |
| Light source engine type | LED | Input Voltage | 220 to 240 V |
| Light Technical | | Line Frequency | 50 or 60 Hz |
| Luminous Flux | 1,650 lumen | Inrush current | 5.5 A |
| Correlated Color Temperature (Nom) | 4000 K | Inrush time | 0.055 ms |
| Luminous Efficacy (rated) (Nom) | 116 lm/W | Power Consumption | 14.2 W |
| Color rendering index (CRI) | ≥80 | Power Factor (Fraction) | 0.9 |
| Number of light sources | 48 | Connection | 2 Push-in connector 2-pole |
| Beam angle of light source | - degree(s) | Cable | - |
| Light source color | 840 neutral white | Number of products on MCB of 16 A type B 54 | |
| Optic type | Facetted reflector | | |

GreenSpace G6

Temperature

| | |
|---------------------------|---------------|
| Ambient temperature range | -20 to +40 °C |
|---------------------------|---------------|

Controls and Dimming

| | |
|-------------------|--------------|
| Dimmable | Yes |
| Control interface | InterAct Pro |

Mechanical and Housing

| | |
|-----------------------------|-----------------------------|
| Housing Material | Aluminum die-cast |
| Reflector material | Polycarbonate |
| Optic material | Polycarbonate |
| Optical cover/lens material | Polycarbonate |
| Housing Color | Black and white |
| Mounting device | Frame for recessed mounting |
| Optical cover/lens finish | Matte |
| Overall height | 107 mm |
| Overall diameter | 216 mm |

Approval and Application

| | |
|------------------------------|----------------------------------|
| Ingress protection code | IP20 [Finger-protected] |
| Mech. impact protection code | IK03 [0.3 J] |
| Protection class IEC | Safety class II |
| Glow-wire test | Temperature 650 °C, duration 5 s |
| Flammability mark | - |
| CE mark | CE mark |
| ENEC mark | - |

| | |
|----------------------|--|
| Warranty period | 3 years |
| Photobiological risk | Photobiological risk group 1 @200mm to EN62778 |
| EU RoHS compliant | Yes |

Initial Performance (IEC Compliant)

| | |
|-----------------------------|--------|
| Luminous flux tolerance | +/-10% |
| Initial chromaticity | 5 |
| Power consumption tolerance | +/-10% |

Application Conditions

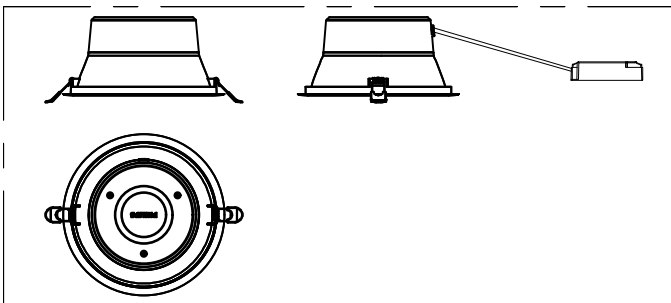
| | |
|------------------------------------|-------|
| Performance ambient temperature Tq | 25 °C |
| Maximum dim level | 1% |
| Suitable for random switching | No |

Product Data

| | |
|---------------------------------|------------------------------------|
| Order product name | DN392X LED16/840 P15WIA D150 AL G2 |
| Order code | 911401574742 |
| Numerator - Quantity Per Pack | 1 |
| Numerator - Packs per outer box | 1 |
| Material number (12NC) | 911401574742 |
| Full product name | DN392X LED16/840 P15WIA D150 AL G2 |



Dimensional drawing



GreenSpace G6

