



# GreenSpace G6

## DN393X LED22/865 P20WIA D200 WH G2

48, 19.9 W, White reflector and opal cover, Polycarbonate Diffuser, 83°

Philips GreenSpace G6 builds on the GreenSpace family's reputation for superb performance, extremely low energy use, and high visual comfort. This next generation of reliable LED downlights comes in a highly-compact design with a deep, recessed architecture and increased reflector depth to highlight the smallest of details. GreenSpace G6 is also a shining example of versatility. This energy-saving LED downlight is available in a comprehensive range of configurations from 600 to 3,550 lumen, with the option to choose fixed, dimmable, or Interact Ready variants. This makes GreenSpace G6 the perfect 'mix and match' solution for potentially broad and extended applications that require different lighting ambiances, with one cohesive luminaire look and feel.

### Product data

| General Information                |             | Operating and Electrical    |                                |
|------------------------------------|-------------|-----------------------------|--------------------------------|
| Driver included                    | Yes         | Light source color          | 865 cool daylight              |
| Gear                               | -           | Optic type                  | White reflector and opal cover |
| Number of gear units               | -           | Optical cover/lens type     | Polycarbonate Diffuser         |
| Light source engine type           | LED         | Luminaire light beam spread | 83°                            |
| Light Technical                    |             | Input Voltage               | 220 to 240 V                   |
| Luminous Flux                      | 2,450 lumen | Line Frequency              | 50 or 60 Hz                    |
| Correlated Color Temperature (Nom) | 6500 K      | Inrush current              | 5.5 A                          |
| Luminous Efficacy (rated) (Nom)    | 123 lm/W    | Inrush time                 | 0.055 ms                       |
| Color rendering index (CRI)        | ≥80         | Power Consumption           | 19.9 W                         |
| Number of light sources            | 48          | Power Factor (Fraction)     | 0.9                            |
| Beam angle of light source         | - degree(s) | Connection                  | 2 Push-in connector 2-pole     |

# GreenSpace G6

|   |                                  |
|---|----------------------------------|
| Cable                                       | -                                |
| Number of products on MCB of 16 A type B 54 |                                  |
| <b>Temperature</b>                          |                                  |
| Ambient temperature range                   | -20 to +40 °C                    |
| <b>Controls and Dimming</b>                 |                                  |
| Dimmable                                    | Yes                              |
| Control interface                           | InterAct Pro                     |
| <b>Mechanical and Housing</b>               |                                  |
| Housing Material                            | Aluminum die-cast                |
| Reflector material                          | Polycarbonate                    |
| Optic material                              | Polycarbonate                    |
| Optical cover/lens material                 | Polycarbonate                    |
| Housing Color                               | Black and white                  |
| Mounting device                             | Frame for recessed mounting      |
| Optical cover/lens finish                   | Matte                            |
| Overall height                              | 107 mm                           |
| Overall diameter                            | 216 mm                           |
| <b>Approval and Application</b>             |                                  |
| Ingress protection code                     | IP20 [Finger-protected]          |
| Mech. impact protection code                | IK03 [0.3 J]                     |
| Protection class IEC                        | Safety class II                  |
| Glow-wire test                              | Temperature 650 °C, duration 5 s |
| Flammability mark                           | -                                |

|                      |  |
|----------------------|--|
| CE mark              | CE mark  |
| ENEC mark            | -  |
| Warranty period      | 3 years  |
| Photobiological risk | Photobiological risk group 1 @200mm to EN62778 |
| EU RoHS compliant    | Yes  |

## Initial Performance (IEC Compliant)

|                             |        |
|-----------------------------|--------|
| Luminous flux tolerance     | +/-10% |
| Initial chromaticity        | 5      |
| Power consumption tolerance | +/-10% |

## Application Conditions

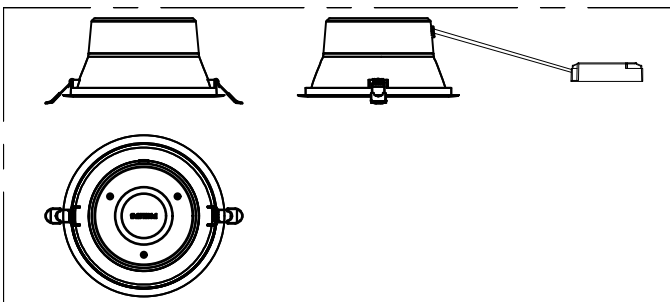
|                                    |       |
|------------------------------------|-------|
| Performance ambient temperature Tq | 25 °C |
| Maximum dim level                  | 1%    |
| Suitable for random switching      | No    |

## Product Data

|                                 |                                    |
|---------------------------------|------------------------------------|
| Order product name              | DN393X LED22/865 P20WIA D200 WH G2 |
| Order code                      | 911401576042                       |
| Numerator - Quantity Per Pack   | 1                                  |
| Numerator - Packs per outer box | 1                                  |
| Material number (12NC)          | 911401576042                       |
| Full product name               | DN393X LED22/865 P20WIA D200 WH G2 |



## Dimensional drawing



## GreenSpace G6

