



# DDBC1200

Signal Dimmer Controller

## Multi-protocol control solution

The Philips Dynalite DDBC1200 features 12 independent output channels, each selectable to DALI Broadcast, 0-10 V, or DSI control.

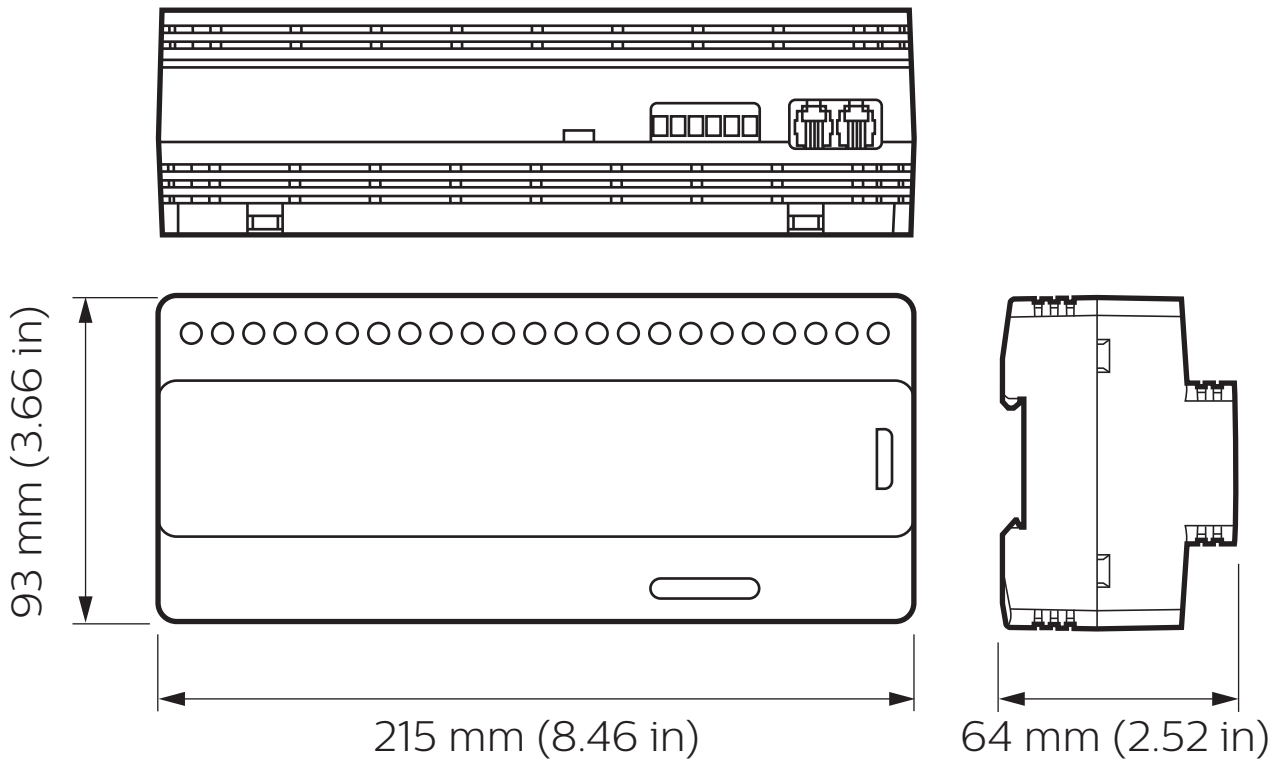
# DDBC1200

## Multi-protocol control solution

- **Multiple protocols supported** – Compatible with a range of fittings and devices including; DSI drivers, DSI electronic low voltage transformers, DALI drivers (broadcast mode only), DALI electronic low voltage transformers (broadcast mode only), 0-10 V drivers, and devices that require 0-10 V analog control signals.
- **LED status indicators** – Instant visual feedback on channel status of all 12 outputs.
- **Flexible mounting solution** – A DIN-rail mountable device, designed to be installed into the distribution board supplying power to the controlled lighting circuit.
- **Inbuilt diagnostic functionality** – Features Device Online/Offline status indication.

---

## Dimensions



# Specifications

Due to continuous improvements and innovations, specifications may change without notice.



**DDBC1200**  
Signal Dimmer Controller

## Electrical

Supply Type	Single-Phase
Supply Voltage	100-240 VAC
Supply Current	0.5 A
DyNet DC Output Voltage	12 VDC
DyNet DC Output Current	200 mA
IEC Overvoltage Category	III

## Control

Serial Ports	1 x RS-485
Supported Protocols	DyNet DMX Rx
DMX Rx Channels	12
Control Channel Outputs	12 (DALI Broadcast, DSI or 0-10 V)
Dry Contact Inputs	1 (AUX)
User Input	1 x service switch 12 x channel override
Indicators	1 x diagnostic LED 12 x channel status LED
Diagnostic Functions	Device online/offline status

## Physical

Dimensions (H x W x D)	93 x 215 x 64 mm (3.66 x 8.46 x 2.52 in)
Packed Weight	0.54 kg (1.19 lb)
Construction	Polycarbonate DIN rail enclosure (12 unit)
Serial Ports	2 x RJ12 1 x 6-way pluggable screw terminal
Serial Port Conductor Size	2.5 mm <sup>2</sup> (#12 AWG) (max)
Supply Terminals	3 x screw terminal Line, Neutral, Earth
Supply Terminal Conductor Size	5 mm <sup>2</sup> (#10 AWG) (max)
Control Terminals	12 x 2-way screw terminal DA-, DA+
Control Terminal Conductor Size	5 mm <sup>2</sup> (#10 AWG) (max)

## Environment\*

Operating Temperature	0° to 40°C ambient (32° to 104°F)
Storage/Transport Temperature	-25° to 70°C ambient (-13° to 158°F)
Relative Humidity	0 to 90% non-condensing
IEC Pollution Degree	II

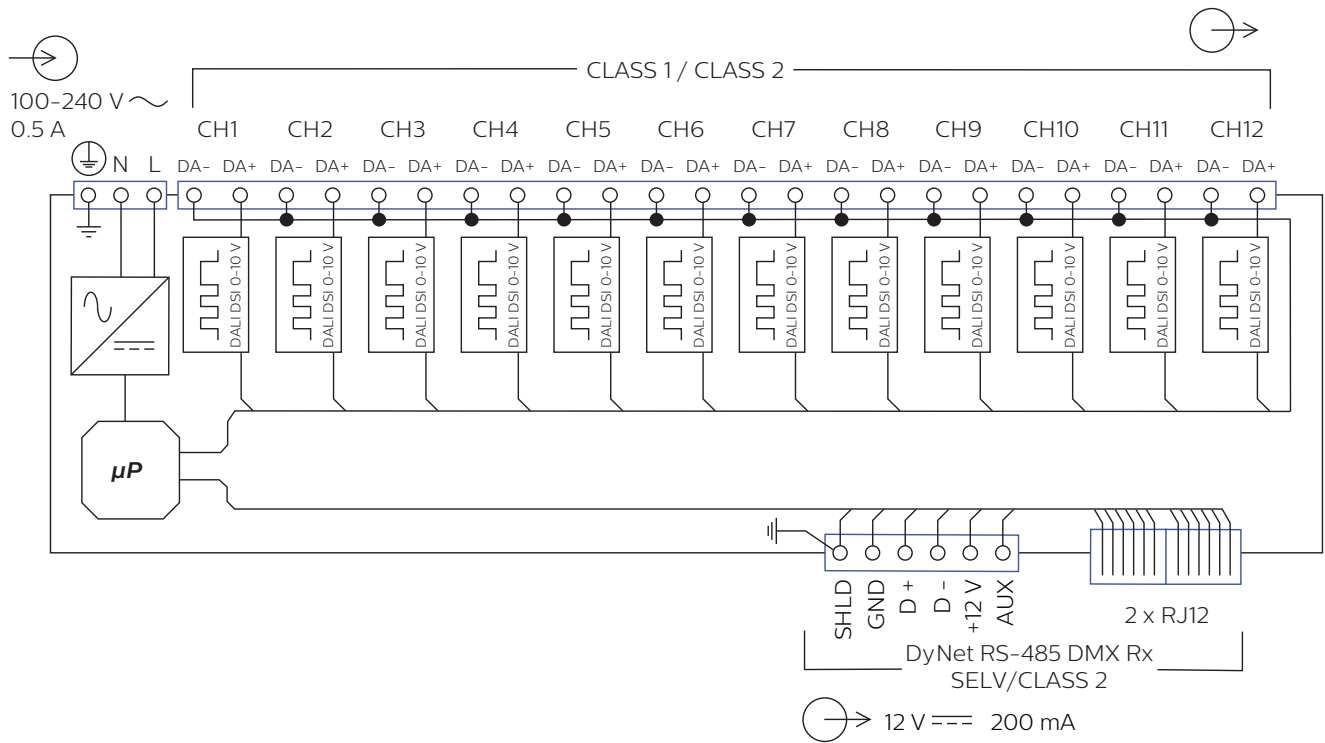
## Compliance

Certification	CE, RCM, UL/cUL, FCC, ICES, UKCA, RoHS
---------------	--

\* For indoor installation only



# Electrical



## Control Channel Ratings

DALI/DSI	Channel	Device
Output Voltage	14 VDC	
Guaranteed Current	160 mA	
Maximum Current	250 mA	
Maximum DALI Drivers	80	300
Maximum DSI Drivers	80	300
Insulation	Basic	
1-10 V	Channel	
Current	sink 50 mA source 50 mA	

## Ordering Code

**Product**  
DDBC1200

**Philips 12NC**  
91370333909



© 2022 Signify Holding. All rights reserved. Specifications are subject to change without notice. No representation or warranty as to the accuracy or completeness of the information included herein is given and any liability for any action in reliance thereon is disclaimed. Philips and the Philips Shield Emblem are registered trademarks of Koninklijke Philips N.V. All other trademarks are owned by Signify Holding or their respective owners.