

PHILIPS

蓝牙红外遥控器安装说明 EcoSet BLE IR Remote Controller Mounting Instructions



遥控器电源：2 节 AA 电池
Remote control power supply: 2 AA batteries
遥控器的有效操控距离：
Effective control distance of remote control：
红外 10m
Infrared within 10 m
蓝牙 15m
Bluetooth within 15 m

环境

The environment

遥控器存储温度：-20°C ~ 70°C
Storage temperature: -20°C to 70°C
电池存储温度：5°C ~ 30°C
Battery storage temperature: 5°C to 30°C
工作温度：-5°C ~ 45°C
Operating temperature: -5°C ~ 45°C

产品描述

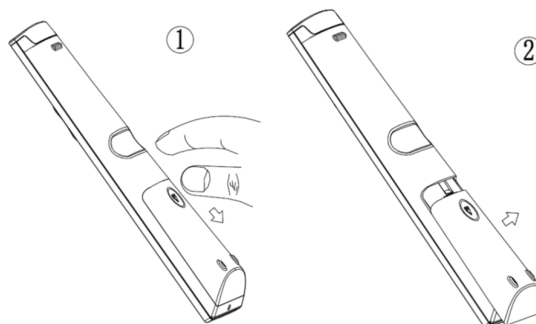
Production description

I2NC	Description	Size(mm)
911401590622	EcoSet BLE IR Remote Controller	174x46x22.6

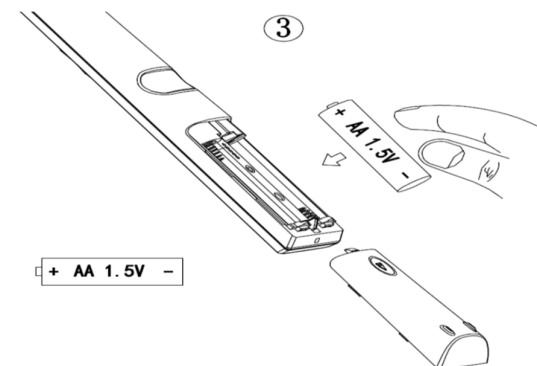
电池安装方法

Battery Installation method

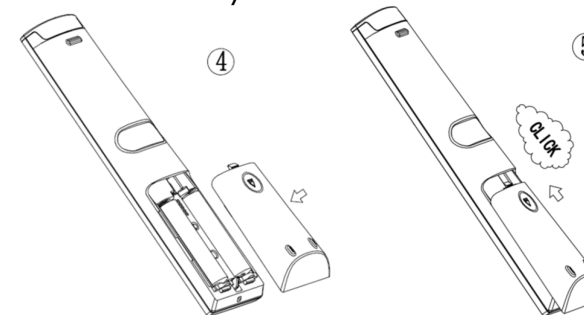
1. 开电池盖
Remove the battery cover.



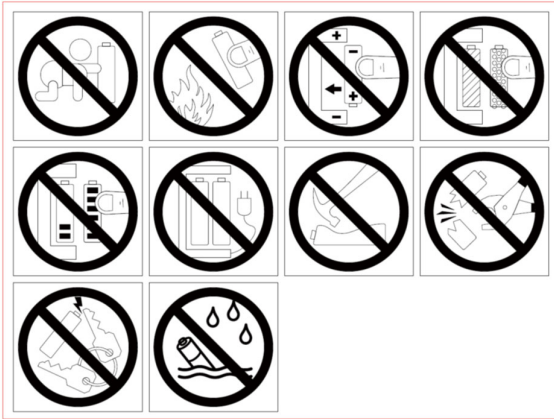
2. 将电池按照正确的正负极顺序安装。
Insert the batteries with correct polarity.



3. 合电池盖
Install the battery cover back.

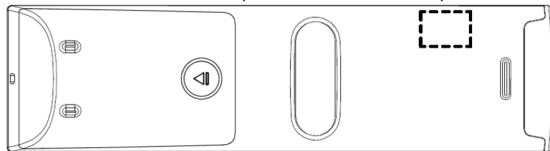


电池注意事项 Battery Precautions



注意事项 Attentions

1. 在使用本产品前，请先仔细阅读本手册
Please read this manual carefully before using this product
2. 遥控器远离路由器等信号设备(Zigbee 和 WIFI 等)
Keep the remote controller away from routers and other signal devices (Zigbee ,Wi-Fi etc.)
3. 请勿用金属遮盖/遮挡遥控器上的无线天线。(下图虚线位置)
Do not cover the wireless antenna on the remote controller with metal. (Dotted line below)



4. 考虑到金属结构对无线信号的影响，在现场使用过程中确保遥控器远离周边金属管道，混凝土钢结构等，以减少金属管道，混凝土钢结构等对无线信号的负面影响。如果遥控器和接收器之间有金属管道，混凝土钢结构等隔断，会对无线信号传输距离有影响。

Considering the impact of metal structure on wireless signal, ensure that the remote controller is far away from the surrounding metal pipeline and steel reinforced concrete structure during the process of on-site use so as to minimize the negative impacts on wireless signal. Otherwise, signal transmission distance would be affected.

5. 遥控器清洁时请勿放入水中清洗，也勿用有机溶剂（酒精）擦拭。

When clean the remote controller, neither put it into water nor wipe it with organic solvent (alcohol).

昕诺飞灯具（上海）有限公司
地址：上海市闵行区合川路 2555 号 I 幢二楼
邮编：200233
Signify Luminares (Shanghai) Co. Ltd
Address: 2F, Building I, No. 2555 Hechuan Road, Minhang District, Shanghai
P.R. China
Postalcode: 200233

有害物质名称及含量 Name and content of hazardous substance

产品中有害物质的名称及含量						
部件名称	有害物质					
	铅 (Pb)	汞 (Hg)	镉 (Cd)	六价铬 (Cr(VI))	多溴联苯 (PBB)	多溴二苯醚 (PBDE)
PCB (板) 铜制及电子零部件	×	○	○	○	○	○
透镜光学部件	○	○	○	○	○	○
外壳及其它零部件	○	○	○	○	○	○

本表格依据SJ/T 11364的规定编制
○:表示该有害物质在该部件所有均质材料中的含量均在GB/T 26572规定的限量要求以下。
×:表示该有害物质至少在该部件的某一均质材料中的含量超出GB/T 26572规定的限量要求。